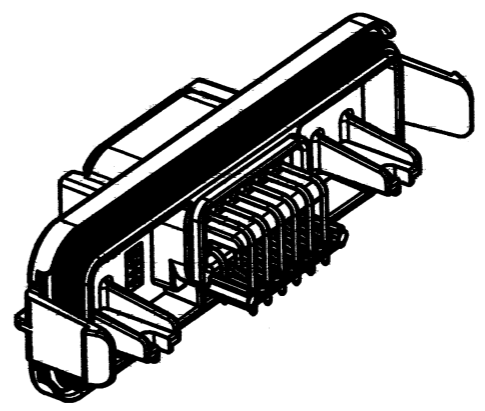
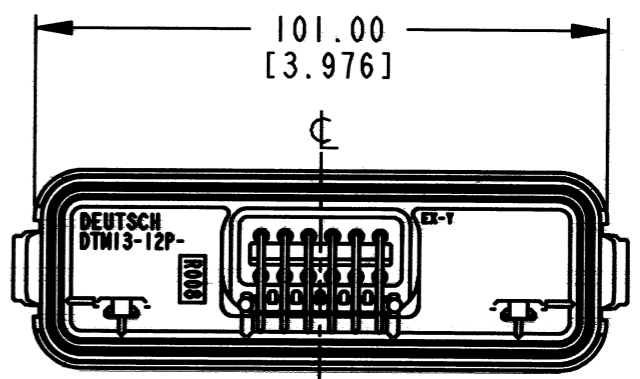
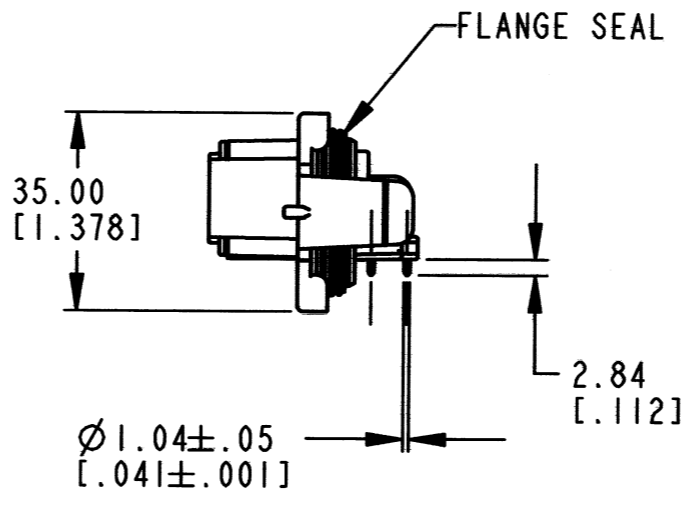
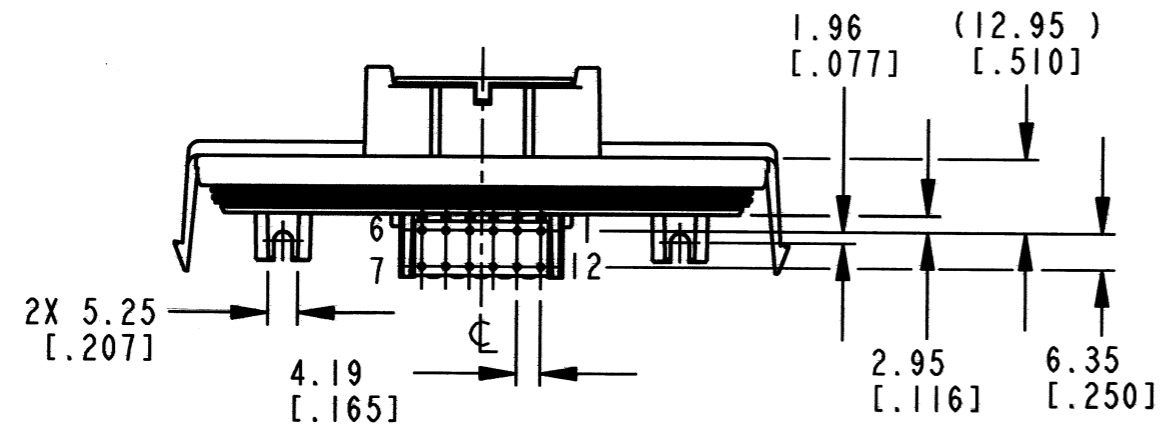
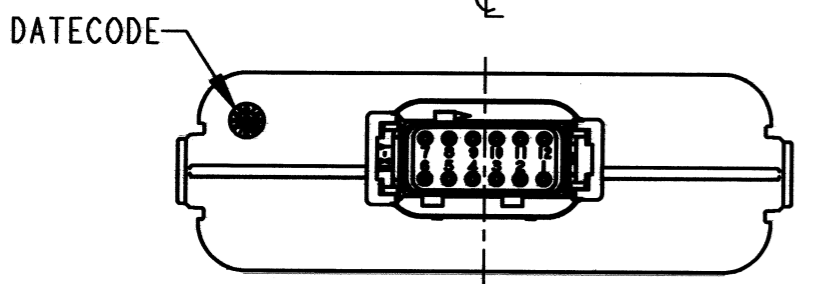
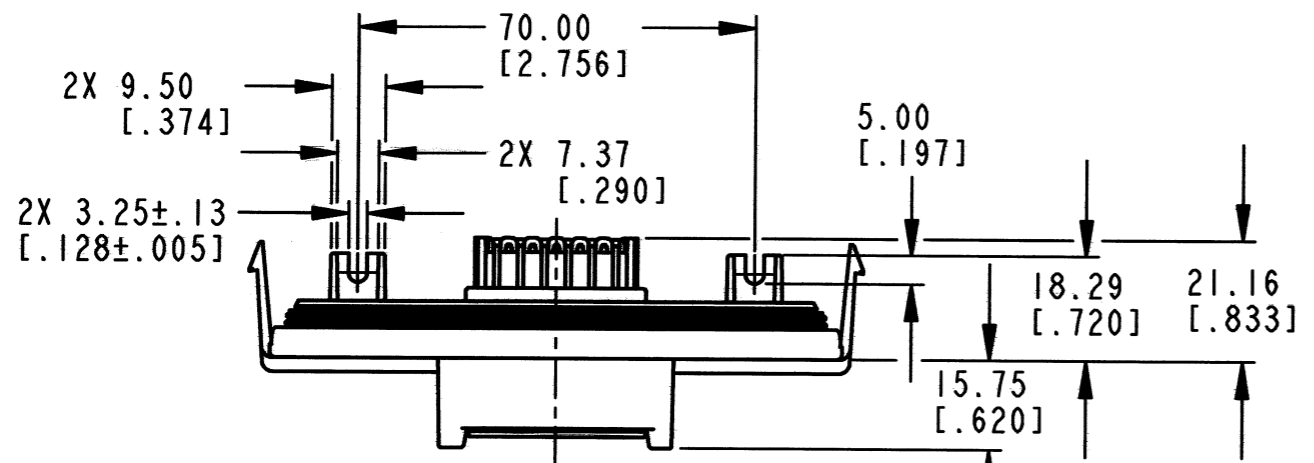


REV C DTM13-12P\*-R008

| REVISIONS |                             |         |          |
|-----------|-----------------------------|---------|----------|
| SYM       | DESCRIPTION                 | DATE    | APPROVED |
| NC        | NEW RELEASE PER E.O. P17244 | 4-26-01 | R.D.R.   |
| A         | REVISED PER E.O. P18708     | 7-29-05 | R.D.R.   |
| B         | REVISED PER E.O. P19335     | 8/3/06  | RDR      |
| C         | REVISED PER E.O. P20972     | 11-7-11 | RDR      |



7. SEE SHEET 2 FOR OTHER KEY ARRANGEMENTS.
6. THIS RECEPTACLE IS USED WITH EEC-325X4(A OR B) ENCLOSURE. SEE ENVELOPE DRAWING EEC-325X4A/EEC-325X4B FOR ENCLOSURE INFORMATION.
5. THIS RECEPTACLE MATES WITH DTM06-12S\*-\*\*\*\* PLUG. (\* = A,B,C,D KEYS; \*\*\*\* = ALL MODIFICATIONS).
4. MATERIAL - PLASTIC (BLACK); SEALS: RUBBER.
3. CONTACT PLATING - MATING SIDE: NICKEL; PCB SIDE: TIN.
2. DIMENSION TOLERANCE: ±.64 [.025].
1. DIMENSIONS ARE IN MILLIMETERS [IN].

NOTES: UNLESS OTHERWISE SPECIFIED

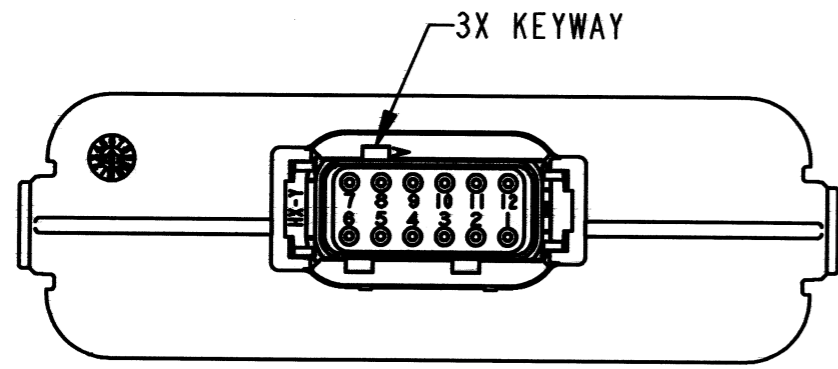
| SIGNATURE & DATE |                        |
|------------------|------------------------|
| DR               | J. APOSTOL 19 APR 2001 |
| CHK              | [Signature] 11/07/2011 |
| PE               | [Signature]            |
| APPD             | [Signature]            |
| SCALE            | NONE WT                |

RECEPTACLE  
12 #20 SIZE CONTACT  
KEY ARRANGEMENTS A, B, C, D  
-R008 MOD  
DTM SERIES  
ENVELOPE

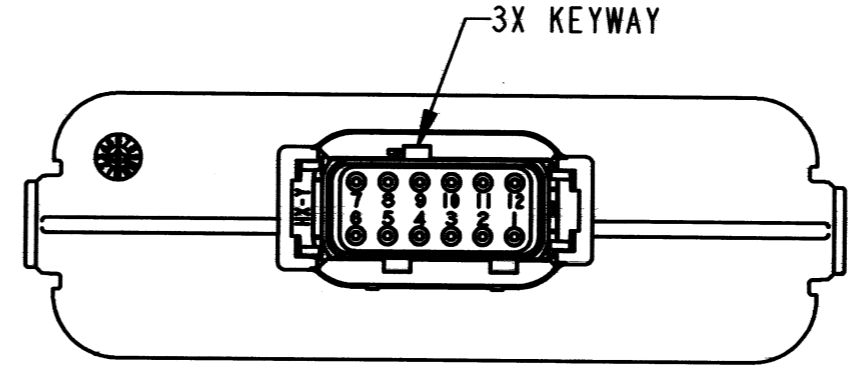
|   |                         |
|---|-------------------------|
| EP                                      | MATL. CODE              |
| 3850 INDUSTRIAL AVE.<br>HEMET, CA 92545 |                         |
| <b>B</b>                                | <b>DTM13-12P*-R008</b>  |
| DWG SIZE                                | CODE 11139 SHEET 1 OF 2 |



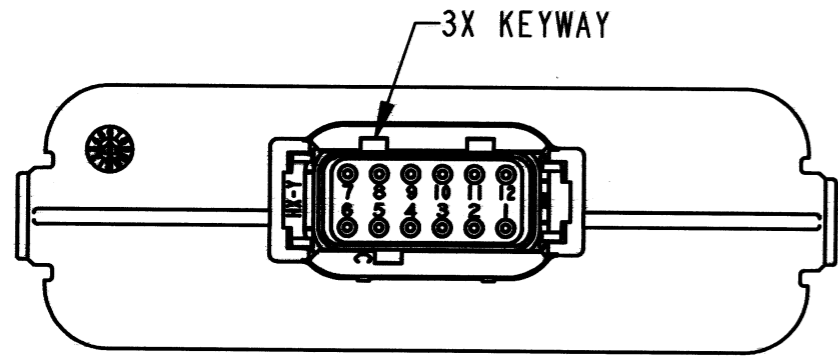
|          |                 |           |               |         |          |
|----------|-----------------|-----------|---------------|---------|----------|
| REV<br>C | DTM13-12P*-R008 | REVISIONS |               |         |          |
|          |                 | SYM       | DESCRIPTION   | DATE    | APPROVED |
|          |                 | C         | SEE SHEET ONE | 11-7-11 | RDR      |
|          |                 |           |               |         |          |
|          |                 |           |               |         |          |



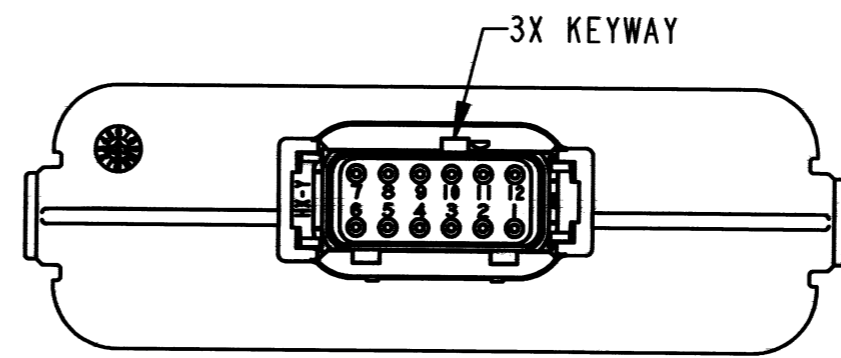
**DTM13-12PA-R008**  
**KEY -A-**  
**SLEEVE COLOR: GREY**



**DTM13-12PB-R008**  
**KEY -B-**  
**SLEEVE COLOR: BLACK**



**DTM13-12PC-R008**  
**KEY -C-**  
**SLEEVE COLOR: GREEN**



**DTM13-12PD-R008**  
**KEY -D-**  
**SLEEVE COLOR: BROWN**

NOTES:

|                  |                               |  |   |            |
|------------------|-------------------------------|--|---|------------|
| SIGNATURE & DATE |                               | RECEPTACLE<br>12 #20 SIZE CONTACT<br>KEY ARRANGEMENTS A,B,C,D<br>-R008 MOD<br>DTM SERIES<br>ENVELOPE | EP  | MATL. CODE |
| DR               | J. APOSTOL 19APR2001          |  | 3850 INDUSTRIAL AVE.<br>HEMET, CA 92545<br> |            |
| CHK              | <i>[Signature]</i> 11/07/2011 |  | <b>DTM13-12P *-R008</b>                     |            |
| PE               | <i>[Signature]</i> 9/26/11    |  | DWG SIZE                                    | CODE 11139 |
| APPD             | <i>[Signature]</i> 11/7/11    |  | SHEET 2 OF 2                                |            |
| SCALE            | NONE                          | WT   |   |            |

